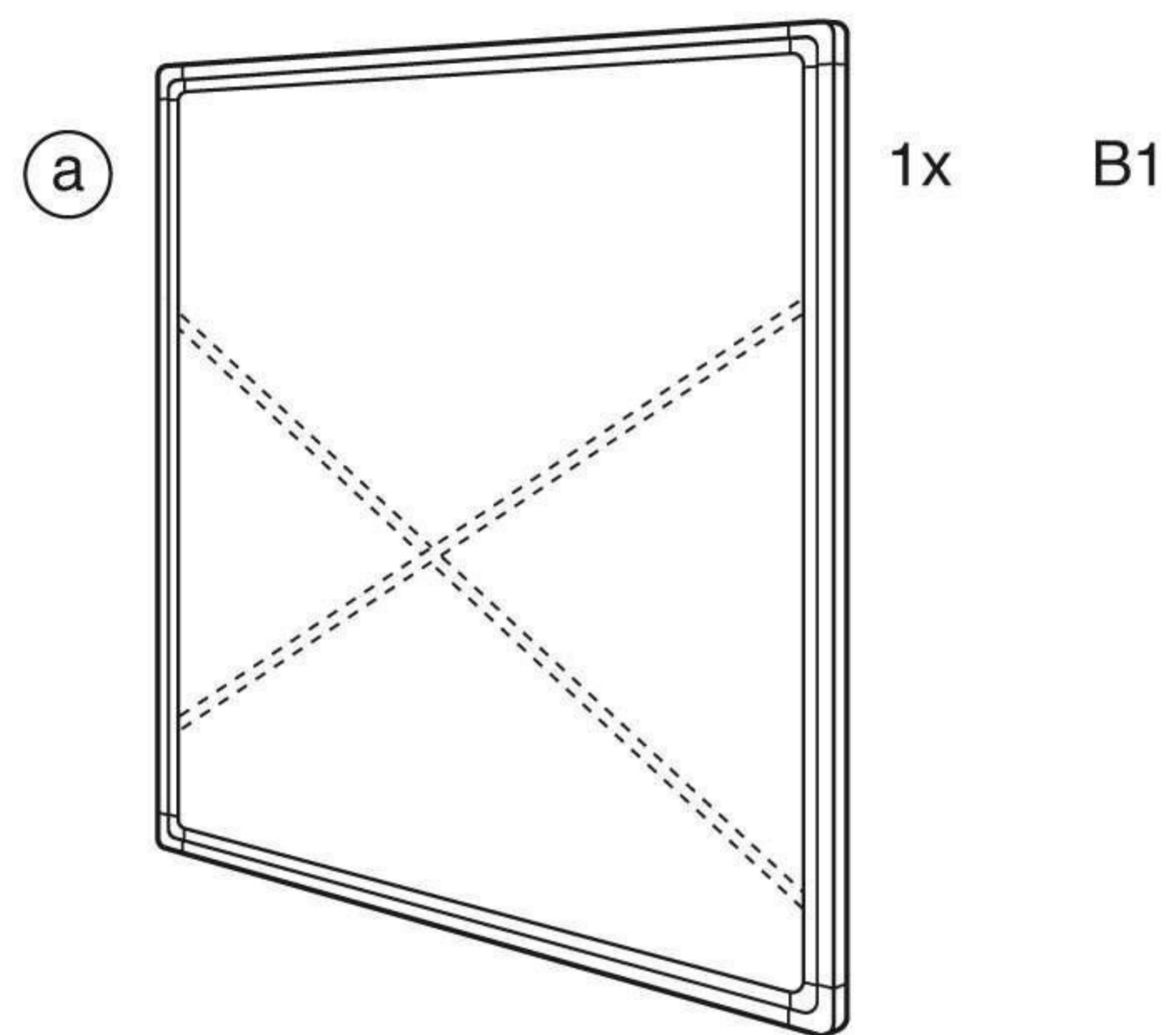


A Grundelement
Parts

Skizze
Drawing



130 x 130 cm B1
150 x 150 cm B1
120 x 155 cm B1

