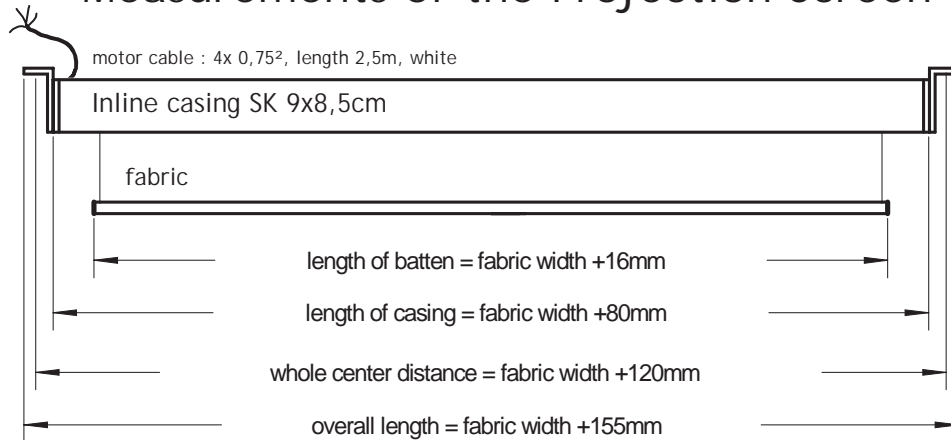


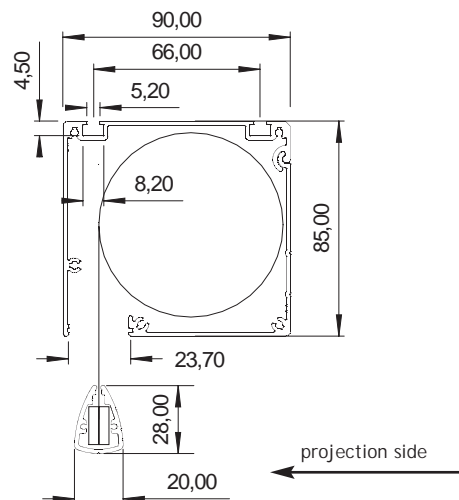
# PROJECTION SCREEN SYSTEM INLINE SK 9x8,5cm

## Measurements of the Projection Screen

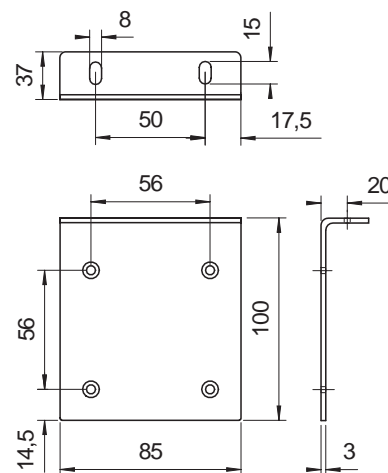


overall length: +/- 2mm


## Cross Section Inline-Casing



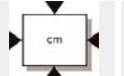

## Universal Mounting Bracket




## Projection Screen with Motor Drive

Art. No.	Description		Casing dimensions	Kg netto	Kg brutto
BIM-PQ160	Inline-Motor Plana, 1:1		160x160cm	11	13
BIM-PQ180	Inline-Motor Plana, 1:1		180x180cm	12	14
BIM-PQ200	Inline-Motor Plana, 1:1		200x200cm	13	15
BIM-PQ220	Inline-Motor Plana, 1:1		220x220cm	14	16
BIM-PC240	Inline-Motor Plana, 16:9		240x135cm	14	16
BIM-PQ240	Inline-Motor Plana, 1:1		240x240cm	15	17
BIM-PF250	Inline-Motor Plana, FS		250x200cm	15	17

## Projection Screen with Motor Drive and Masking

Art. No.	Description			Casing dimensions	Kg netto	Kg brutto
BIM-PV190/R5	Inline-Motor Plana, 4:3			190x145cm 180x135cm	11	13
BIM-PV210/R5	Inline-Motor Plana, 4:3			210x160cm 200x150cm	13	15
BIM-PV250/R5	Inline-Motor Plana, 4:3			250x190cm 240x180cm	15	18
BIM-PC190/R5	Inline-Motor Plana, 16:9			190x145cm 180x101cm	11	13
BIM-PC210/R5	Inline-Motor Plana, 16:9			210x160cm 200x113cm	13	15
BIM-PC250/R5	Inline-Motor Plana, 16:9			250x190cm 240x135cm	15	18

## Projection Screen with Crank Drive

Art. No.	Description		Casing Dimensions	Kg netto	Kg brutto
BIK-PQ160	Inline-Crank Plana, 1:1		160x160cm	9	13
BIK-PQ180	Inline-Crank Plana, 1:1		180x180cm	10	14
BIK-PQ200	Inline-Crank Plana, 1:1		200x200cm	11	15
BIK-PQ220	Inline-Crank Plana, 1:1		220x220cm	12	17
BIK-PQ240	Inline-Crank Plana, 1:1		240x240cm	14	19

## Projection Screen with Spring Roller-Mechanism

Art. No.	Description	Casing Dimensions	Kg netto	Kg brutto
BIS-PQ160	Inline-SR Plana, 1:1	160x160cm	9	12
BIS-PQ180	Inline-SR Plana, 1:1	180x180cm	10	14
BIS-PQ200	Inline-SR Plana, 1:1	200x200cm	11	15
BIS-PQ220	Inline-SR Plana, 1:1	220x220cm	12	17
BIS-PQ240	Inline-SR Plana, 1:1	240x240cm	13	18

Other Sizes / Specifications / Colours / Accessories on request