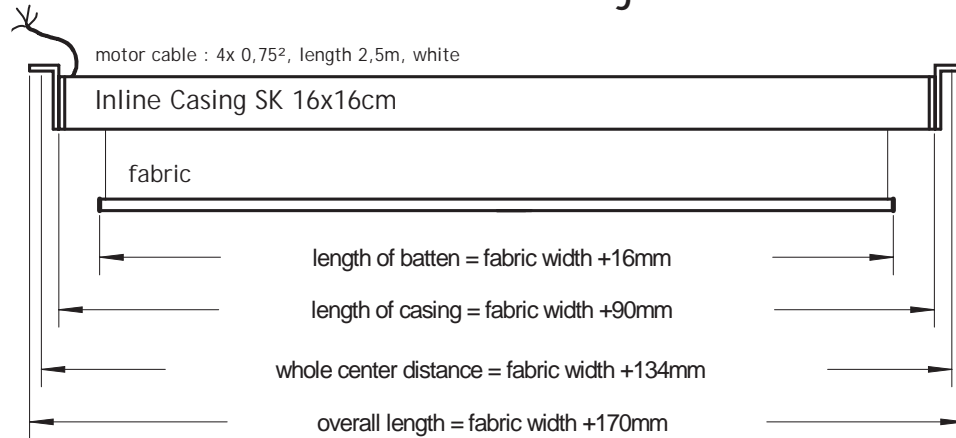


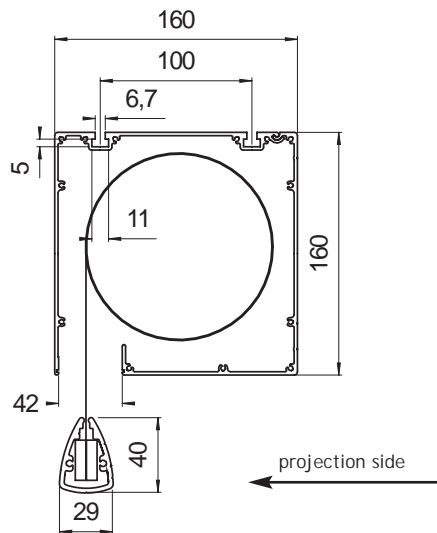
PROJECTION SCREEN SYSTEM INLINE SK 16x16cm

Measurements of the Projection Screen

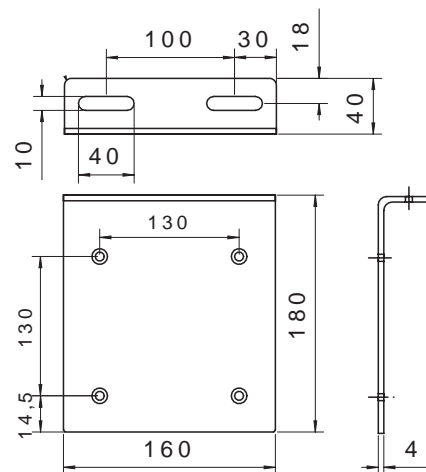


overall length: +/- 3mm


Cross Section Inline-Casing





Universal Mounting Bracket



Projection Screen with Motor Drive

Art. No.	Description		Casing dimensions	Kg netto	Kg brutto
BIM-SV400	Inline-Motor Strato, 4:3	400x300cm	SK 16x16cm	72	92
BIM-SQ400	Inline-Motor Strato, 1:1	400x400cm	SK 16x16cm	77	97
BIM-SD500	Inline-Motor Strato, 3:2	500x330cm	SK 16x16cm	93	118
BIM-SF500	Inline-Motor Strato, FS	500x400cm	SK 16x16cm	97	122

Projection Screen with Motor Drive and Masking

Art. No.	Description			Casing dimensions	Kg netto	Kg brutto
BIM-SV410/R5	Inline-Motor Strato, 4:3	410x310cm	400x300cm	SK 16x16cm	75	96
BIM-SV450/R5	Inline-Motor Strato, 4:3	450x340cm	440x330cm	SK 16x16cm	84	174
BIM-SV490/R5	Inline-Motor Strato, 4:3	490x370cm	480x360cm	SK 16x16cm	93	191
BIM-SC410/R5	Inline-Motor Strato, 16:9	410x310cm	400x225cm	SK 16x16cm	75	96
BIM-SC450/R5	Inline-Motor Strato, 16:9	450x340cm	440x248cm	SK 16x16cm	84	174
BIM-SC490/R5	Inline-Motor Strato, 16:9	490x370cm	480x270cm	SK 16x16cm	93	191

Other Sizes / Specifications / Colours / Accessories on request