

NEW

COMBIFLEX MOBIL



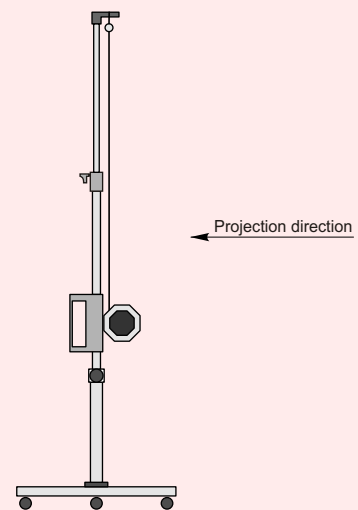
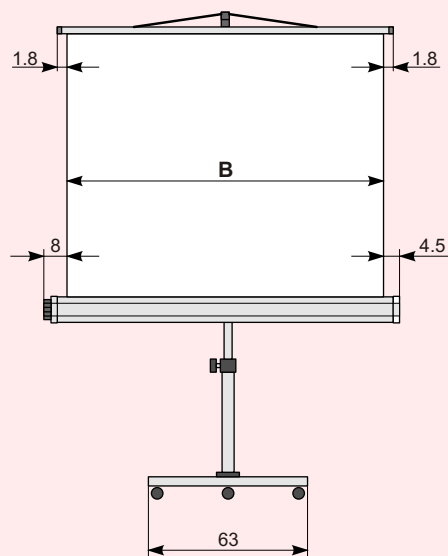
Highlights

- Housing made of octagonal sheet-steel-profile
- Strong nickel plated square tubing tripod, 360° rotateable
- Easily set up due to well-developed handling
- Large fold out OV- bracket in tripod head enables optimal tilting of the screen
- The screen is stopped inside the tube when rolled down
- Stepless height adjustable with a Knurled-head-screw
- The screen surface is in additional height adjustable with the handle and the A-head
- The screen surface can be turned around for 360 degrees
- Undercarriage is movable by 5 castors

Screen surface

- Type D matt white , on foil base

Mobile screens



Dimensions in cm

B	150	180	200
----------	-----	-----	-----